

meccalte



ECO46

MECCALTE spa - Via Roma, 20 - 36051 CREAZZO (VI) ITALIA
 Tel. +39 0444/396111 - Fax +39 0444/396166 - e-mail: info@meccalte.it
 web site: www.meccalte.com

4 POLE

CHARACTERISTICS

INDUSTRIAL RATINGS

ambient 40 ° C

Type	kVA - cos φ 0.8 - 3 Phase continuous							Efficiency		
	CL. H (ΔT= 125 °C)				CL. F (ΔT= 105 °C)			η % CL. H (ΔT= 125 °C)		
Series Star λ	760	800	830	IP45 400 V	760	800	830	2/4	3/4	4/4
Parallel Star λλ	380	400	415		380	400	415			
Series Delta Δ	440	460	480		440	460	480			
Parallel Delta ΔΔ	220	230	240		220	230	240			
ECO46-1S/4	1500	1500	1500	1100	1350	1350	1350	95,9	96,4	96,2
ECO46-1.5S/4	1650	1650	1650	1200	1480	1480	1480	96	96,5	96,3
ECO46-2S/4	1800	1800	1800	1300	1600	1600	1600	96,2	96,5	96,4
ECO46-1L/4	2100	2100	2100	1530	1900	1900	1900	96,4	96,8	96,6
ECO46-1.5L/4	2300	2300	2300	1650	2050	2050	2050	96,4	96,9	96,7
ECO46-2L/4	2500	2500	2500	1800	2250	2250	2250	96,6	97	96,8

Type	CL. H (ΔT= 125 °C)				CL. F (ΔT= 105 °C)			Efficiency		
	CL. H (ΔT= 125 °C)				CL. F (ΔT= 105 °C)			η % CL. H (ΔT= 125 °C)		
Series Star λ	880	920	960	IP45 480 V	880	920	960	2/4	3/4	4/4
Parallel Star λλ	440	460	480		440	460	480			
Series Delta Δ	508	530	554		508	530	554			
Parallel Delta ΔΔ	254	265	277		254	265	277			
ECO46-1S/4	1710	1800	1800	1330	1530	1620	1620	96,1	96,6	96,4
ECO46-1.5S/4	1880	1980	1980	1440	1690	1780	1780	96,2	96,6	96,5
ECO46-2S/4	2050	2160	2160	1570	1820	1920	1920	96,4	96,7	96,6
ECO46-1L/4	2390	2520	2520	1840	2150	2280	2280	96,6	97	96,8
ECO46-1.5L/4	2620	2760	2760	1980	2330	2460	2460	96,7	97,1	96,9
ECO46-2L/4	2840	3000	3000	2170	2550	2700	2700	96,9	97,3	97,1

STANDBY RATING

Type	kVA Temp. Rise / Ambient °C			kVA Temp. Rise / Ambient °C		
	50 Hz			60 Hz		
	163° / 27°	150° / 40°	125° / 27°	163° / 27°	150° / 40°	125° / 27°
ECO46-1S/4	1620	1552	1552	1944	1870	1870
ECO46-1.5S/4	1780	1700	1700	2140	2040	2040
ECO46-2S/4	1944	1863	1863	2332	2236	2236
ECO46-1L/4	2268	2173	2173	2722	2608	2608
ECO46-1.5L/4	2480	2380	2380	2980	2860	2860
ECO46-2L/4	2700	2588	2588	3240	3105	3105

Type	J (kgm ²) B3-B14 FORM	Weight (kg)	Air Volume		Noise dB(A)					
			50 Hz		60 Hz		50 Hz		60 Hz	
			50 Hz (m ³ /min)	60 Hz (m ³ /min)	1m	7m	1m	7m		
ECO46-1S/4	31,43	3010	135	162	97	86	100	91		
ECO46-1.5S/4	36,73	3380								
ECO46-2S/4	39,16	3565								
ECO46-1L/4	44,31	3810								
ECO46-1.5L/4	48,69	4260								
ECO46-2L/4	51,33	4380								

ACCESSORIES

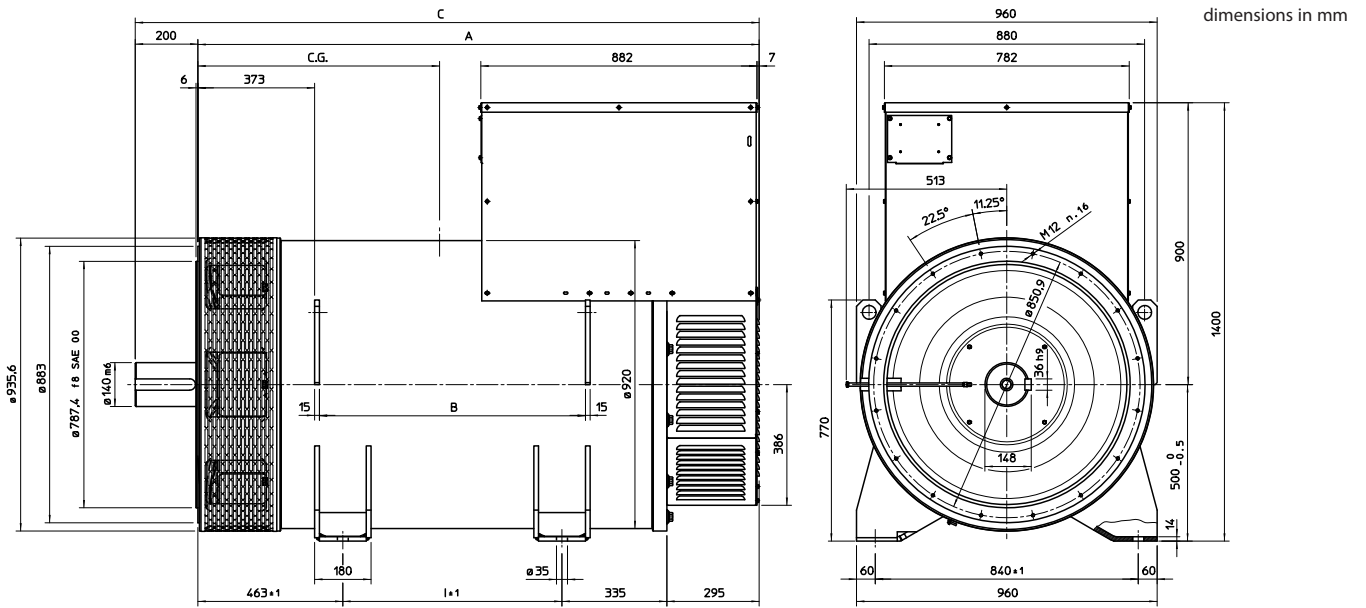
REGULATOR				PARALLEL DEVICE	THERMAL PROTECTION			HEATERS	MECHANICAL PROTECTION		
DSR	DER-1	SR7/2	UVR6		PTC	BIMET. DEVICE	PT100		IP21	IP23	IP45
<input type="checkbox"/>	<input checked="" type="checkbox"/>	<input type="checkbox"/>	<input type="checkbox"/>	<input checked="" type="checkbox"/>	<input type="checkbox"/>	<input type="checkbox"/>	<input type="checkbox"/>	<input type="checkbox"/>	<input checked="" type="checkbox"/>	<input type="checkbox"/>	<input type="checkbox"/>

● = Standard
 = Optional

Rating



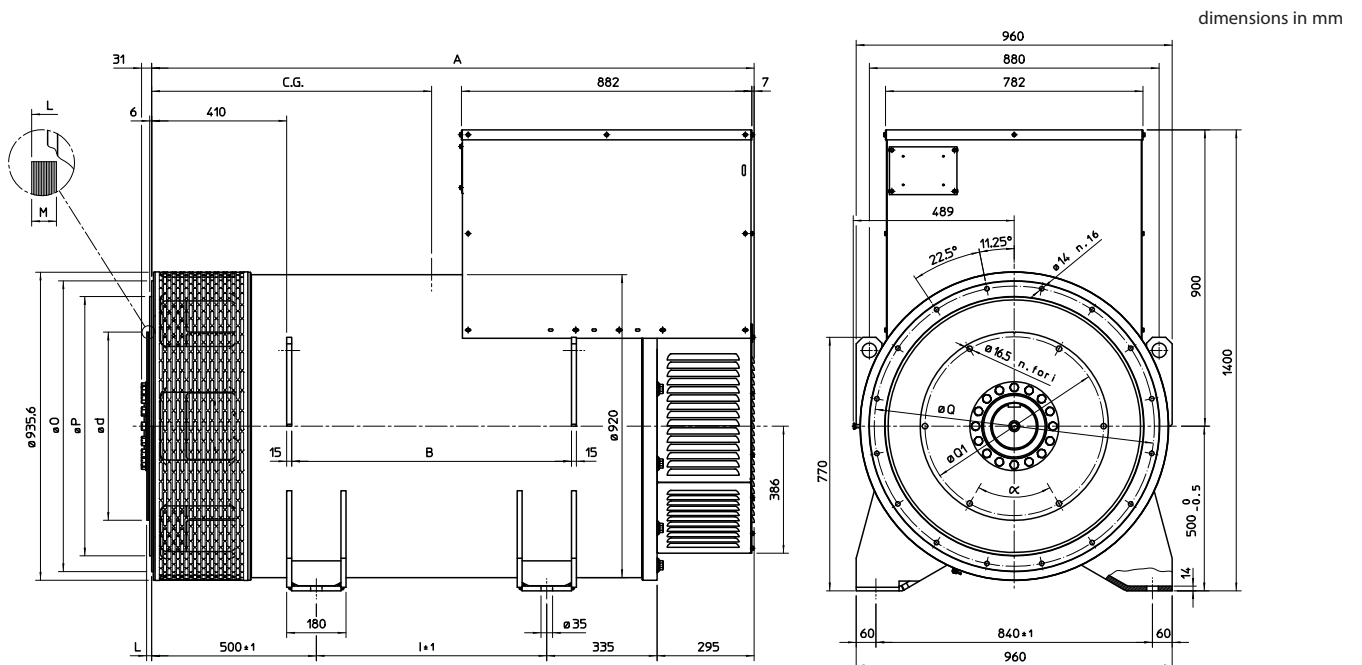
OVERALL DIMENSIONS B3-B14 FORM



TIPO/TYPE/TYP/TIPO	C.G.
ECO46-1S/4	627
ECO46-1.5S/4	689
ECO46-2S/4	701
ECO46-1L/4	772
ECO46-1.5L/4	800
ECO46-2L/4	817

TIPO/TYPE/TYP/TIPO	A	B	C	I
ECO46 S	1563	620	1763	470
ECO46 L	1793	850	1993	700

OVERALL DIMENSIONS MD35 FORM



TIPO/TYPE/TYP/TIPO	C.G.
ECO46-1S/4	664
ECO46-1.5S/4	728
ECO46-2S/4	741
ECO46-1L/4	812
ECO46-1.5L/4	839
ECO46-2L/4	856

TIPO/TYPE/TYP/TIPO	A	B	I
ECO46 S	1600	620	470
ECO46 L	1830	850	700

SAE N.	GIUNTI A DISCHI / DISC COUPLING DISCQUE DE MONOPALIER / SCHEIBENKUPPLUNG					
	d	L	M	Q1	N FORI	Q
18	571,5	15,7	15	542,92	6	60°
21	673,1	0	17	641,35	12	30°

SAE N.	FLANGIE FLANGE BRIDE FLANSCH		
	O	P	Q
00	883	787,4	850,9
0	711	647,7	679,5